

To be specified:

Sensor Toilet Flush Valve

- ❑ Complete Set, Nickel Chrome Plated Finish
 - ❑ TET1GNC-32 (1-1/2" V.B.) - Left and Right Rough
 - Complete set supplied with:
 - ❑ Vacuum Breaker & Angle Stop Set - VB9CP-32
 - 1" Angle Stop - 10077t3
 - 1-1/2" Vacuum Breaker - 10075t1
 - Spud Nut & Escutcheon - 71051Nt6
 - Sweat Solder Kit - TH559EDVSJ3
- ❑ Valve only, Nickel Chrome Plated Finish
 - ❑ TET1GNC - Left and Right Rough

Z-4000-J - Adapter for Ground Joint Angle Stops
10075T1L - 24" Long 1-1/2" vacuum breaker tube

Meets the American Disabilities Act Guidelines and ANSI A117.1 requirements for people with disabilities.



TET1GNC-32

AUTOMATIC FLUSHING SYSTEM

TOTO, the world leader in advanced plumbing systems, provides sensor operated flush valves for facilities demanding the finest sanitation equipment for busy restrooms. "Hands-free" technology effectively reduces unsanitary conditions from unflushed fixtures.

SELF-GENERATING POWER SYSTEM

TOTO's new technology of automatic generator flush valves offer easy installation without the cost and downtime required to install power supplies and wiring for each valve. **A hydro-powered turbine charges the power supply during usage eliminating the need for a battery replacement or consumption of external power for up to 10 years.**

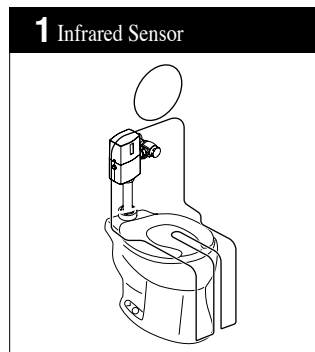
SUPERIOR PISTON VALVE

TOTO's piston valve technology is a marked improvement over traditional rubber diaphragm type valves. Longer piston travel and SELF-CLEANING 360° debris screen reduce common problems such as continuous running and flooding. The piston seat itself will not warp or mis-seal thus, significantly reducing repair and maintenance costs. A micro-porous cup seal keeps the piston self-lubricated upon each activation with the incoming water supply.

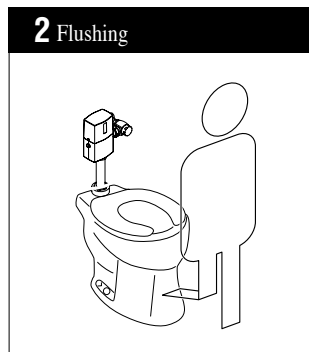
NEUTRAL ROUGH-IN

TOTO's sensor flush valve has neutral rough-in, it can be used as right or left rough-in with no modification.

OPERATING PROCEDURE A sanitary environment without using the hands.



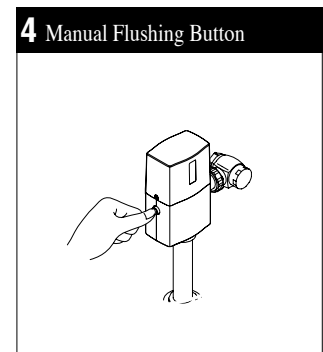
The infrared sensor detects a user sitting on the toilet seat, or standing.



When the user stays in place longer than 6 seconds then moves away, the controller sends a signal to the operating unit to automatically trip the flush valve.



If toilet is not used, the system automatically flushes every 24 hours as a maintenance and hygienic precaution.




Use the manual flush button for maintenance and/or emergencies.



TOTO'S® ECOPOWER FLUSH VALVES™

Sensor Toilet Flush Valve, Exposed - 1.6 GPF

SPECIFICATIONS

Product	TET1GNC- Valve Only, Left and Right Rough, Chrome Plated Finish TET1GNC-32- Complete Set (1-1/2" V.B.), Left and Right Rough, Chrome Plated Finish
Power supply	Hydro-Power Charge , 10 years based on 2,000 cycles per month (Backup battery: 4 years at 4,000 cycles per month without recharging)
Supply water pressure	15 psi - 125 psi*
Water supply pipe	1" NPT
Discharge quantity	Factory setting at 1.6 GPF/6.0 LPF
Ambient temperature	32°-104°F (0°-40°C)
Trap seal protection	Automatic flushing once every twenty-four (24) hours, if not used
Detection time	Factory setting at six (6) seconds minimum
Detection range	Self-adjusting to environment
Warranty	Limited three (3) year warranty on all component parts. Details available upon request.
Listings	 A.S.S.E. 1037

These dimensions and specifications are subject to change without notice.

*Water pressures over 80 psi are not recommended for most plumbing fixtures.

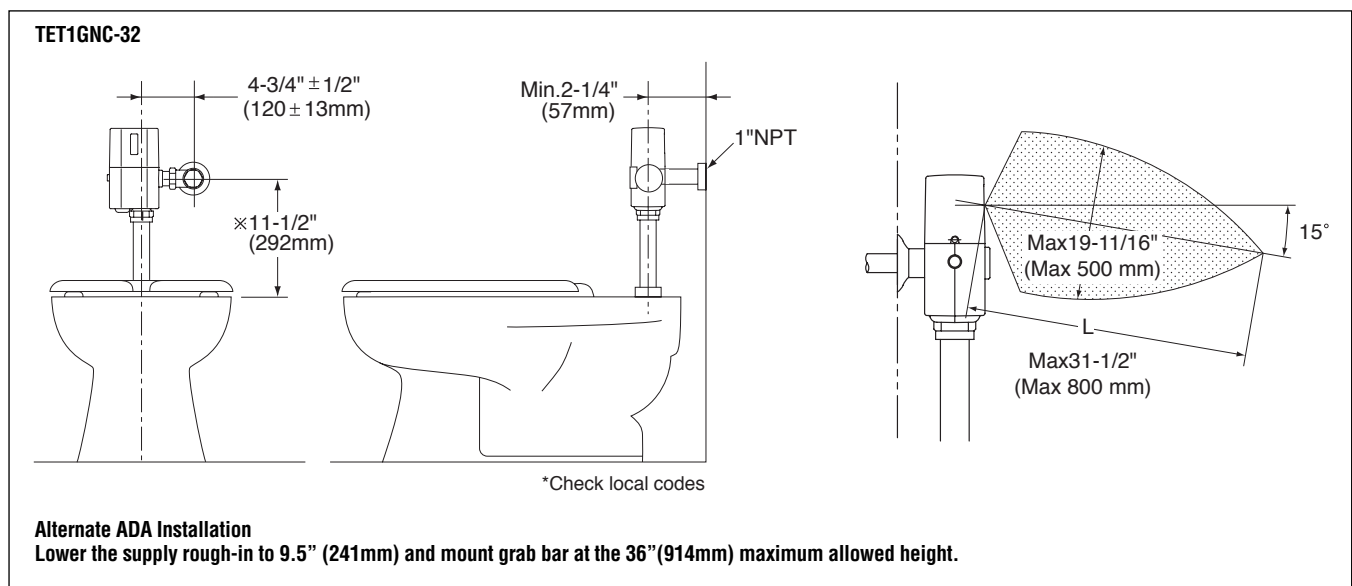
U.S. Patent Pending

SUGGESTED ENGINEERING SPECIFICATION:

TOTO Model No. _____
Automatic infrared sensor activated, piston toilet flush valve.
Heavy-duty zinc die cast cover with nickel chrome finish.
Vandal resistant hex head screws. Automatic sensor adjustment on installation. Manual override button. Piston valve and


solenoid with self-cleaning mechanism. Automatic flush every twenty four hours if not used. Angle stop and vacuum breaker included with accessories. Through the use of TOTO's® EcoPower Flush Valves™, using the valve 2000 times a month will fully recharge the valve for up to 10 years.

DIAGRAM:



TOTO®
Perfection by Design

TOTO U.S.A., INC. • 1155 Southern Road, Morrow, GA 30260
Tel. (888) 295-8134 • Fax. (770) 282-8701 • www.totousa.com
Printed in U.S.A. © TOTO LTD. 04/04 #H80071

Printed on recycled paper 

REV 04/04