

Express® Lavatory System — SS-Series

- Model SS-3N/IR (Infrared Control)
- Model SS-3N/AST (Air Valve Metering)
- Model SS-3N/TT (Touch Time™ Metering)
- Model SS-3N/BIR3 (Battery Infrared Control)

- ADA, ANSI and UFAS Compliant
- Serves One to Three Users at a Time
- Continuous Bowl is constructed of Vandal Resistant Terreon® Solid Surface Material
- Standard Lavatory Spacing on 30" Centers
- Available in 18 colors
- Reliable Infrared Activation, Pushbutton Air Valve, Battery Operated Infrared or Touch Time™ Metering Control
- Optional Electric Tankless Water Heater



Model SS-3N/IR/WH/LSD

Specifications

Accommodates one to three users. These units handle washroom traffic quickly and economically while providing each user with their own personal space. The lavatories for the Express® system are positioned on 30" centers. The preassembled sprayhead module is equipped with independent streamformers that are each served by a separate infrared sensing module and solenoid valve (Model SS-3N/IR), a pushbutton air metering valve (Model SS-3N/AST), an independent battery IR sensor and batteries (Model SS-3N/BIR3) or a pushbutton Touch Time™ electronic metering valve (Model SS-3N/TT). Standard flow rate of .5 GPM meets industry standards for water conservation while providing enough water to rinse hands quickly and efficiently. Operating range is 20-80 PSI.

Construction

Bowl/Sprayhead Cover

Constructed of Terreon®, a densified solid surface material composed of polyester resin. Terreon® is resistant to chemicals, stains, burns, and impact. Surface damage can be easily repaired with everyday cleansers or fine grit abrasives.

Pedestal/Scuff Panels

Panels are composed of vacuum-formed acrylic laminate. Highly resistant to impact, abrasion, acid and corrosion. The panels will not dent, chip, peel or flake.

Support Frame

Bowl assembly and panel are secured to a heavy gauge stainless steel support frame mounted to the wall. Standard frame (floor unit) includes scuff base.

Vandal Resistance

The molded sprayhead is an integral part of the bowl module, Its concealed vandal resistant streamformers discourage abuse. The infrared sensor will automatically shut off water flow after 30-45 seconds if a vandal attempts to trigger constant operation by covering the sensor or by placing a stationary object in the sensor's detection area. Pushbuttons are secured to the unit from inside the sprayhead. Air valves, water supplies, control boxes, and waste are concealed within the pedestal/support frame assembly

Code Compliance and Certifications

ANSI Standards:

Terreon® is NAHB certified to meet ANSI Z124.3, Z124.6 and ANSI/ICPA SS-1-2001.

UPC Approval:

The Express Lav Systems are Uniform Plumbing Code (UPC) approved through the International Association of Plumbing and Mechanical Officials (IAPMO).

Standard Frame

The standard frame on the Express® SS-Series includes a scuff base and is designed to comply with all ADA guidelines on reaches, clearances and operation for adult users.

Wall-Hung Frame

The wall-hung frame on the Express® SS-Series (less scuff base above) is designed to mount at different heights (adult and children) to comply with guidelines on reaches, clearances and operation for various codes including, ADA Accessibility Guidelines for Buildings and Facilities (ADAAG) and TAS (Texas Accessibility Standards). Always check your local and state codes.



Express® Lavatory System — SS-Series

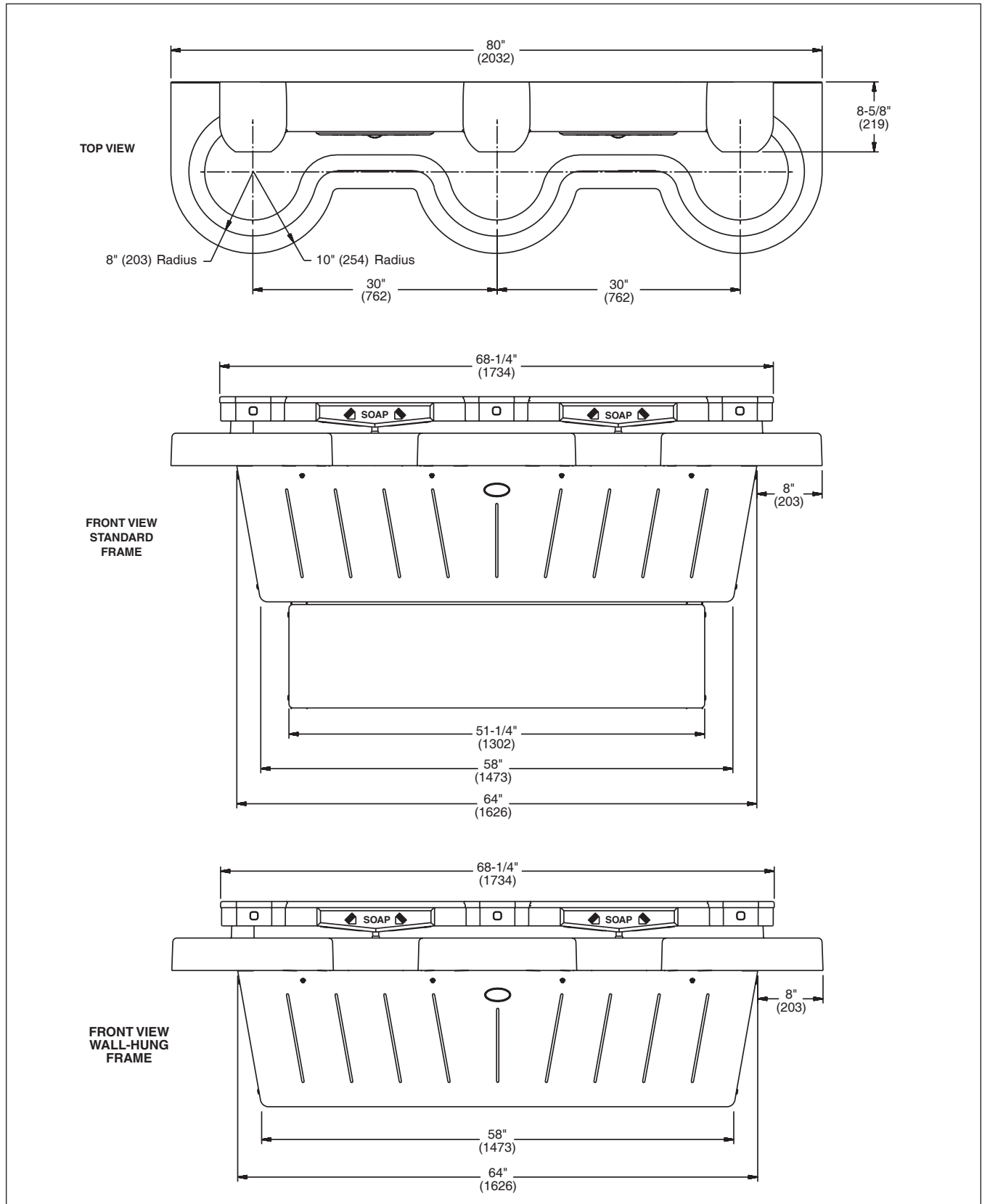
Model SS-3N/IR

Model SS-3N/AST

Model SS-3N/TT

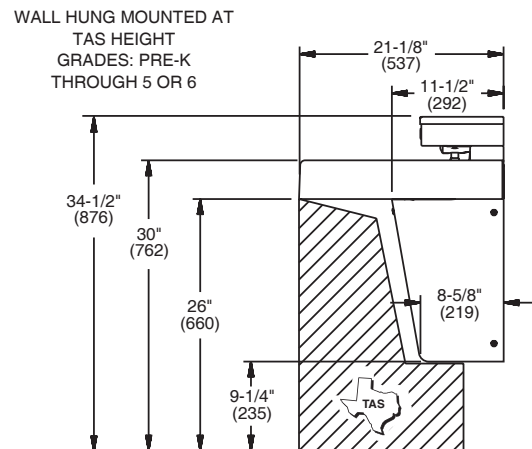
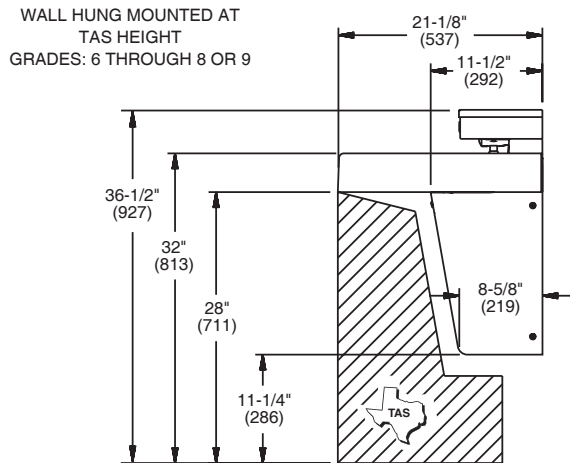
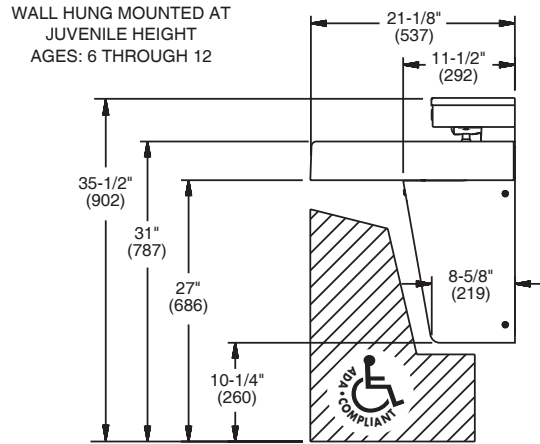
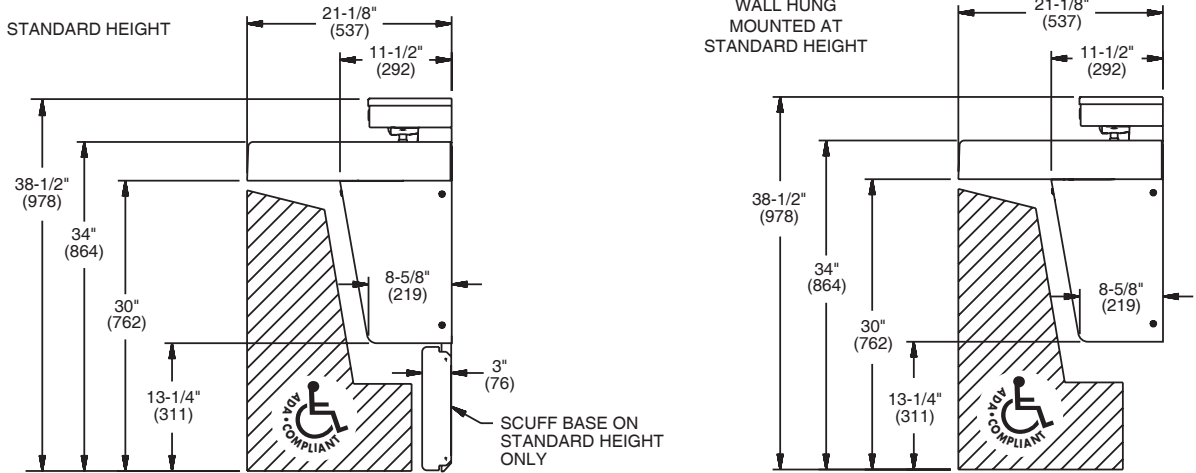
Model SS-3N/BIR3

PLUMBING FIXTURES
TECHNICAL DATA



Bradley Corporation reserves the right to make changes in design and material without formal notice and without incurring obligation. Verify all rough-in dimensions prior to installation.

Dimensions shown in parentheses
are millimeters.



Bradley Corporation reserves the right to make changes in design and material without formal notice and without incurring obligation. Verify all rough-in dimensions prior to installation.

Express® Lavatory System — SS-Series

Model SS-3N/IR
 Model SS-3N/AST
 Model SS-3N/TT
 Model SS-3N/BIR3

PLUMBING FIXTURES TECHNICAL DATA

Dimensions shown in parentheses are millimeters.

MOUNTING FOR STANDARD AND WALL HUNG HEIGHTS ARE SHOWN

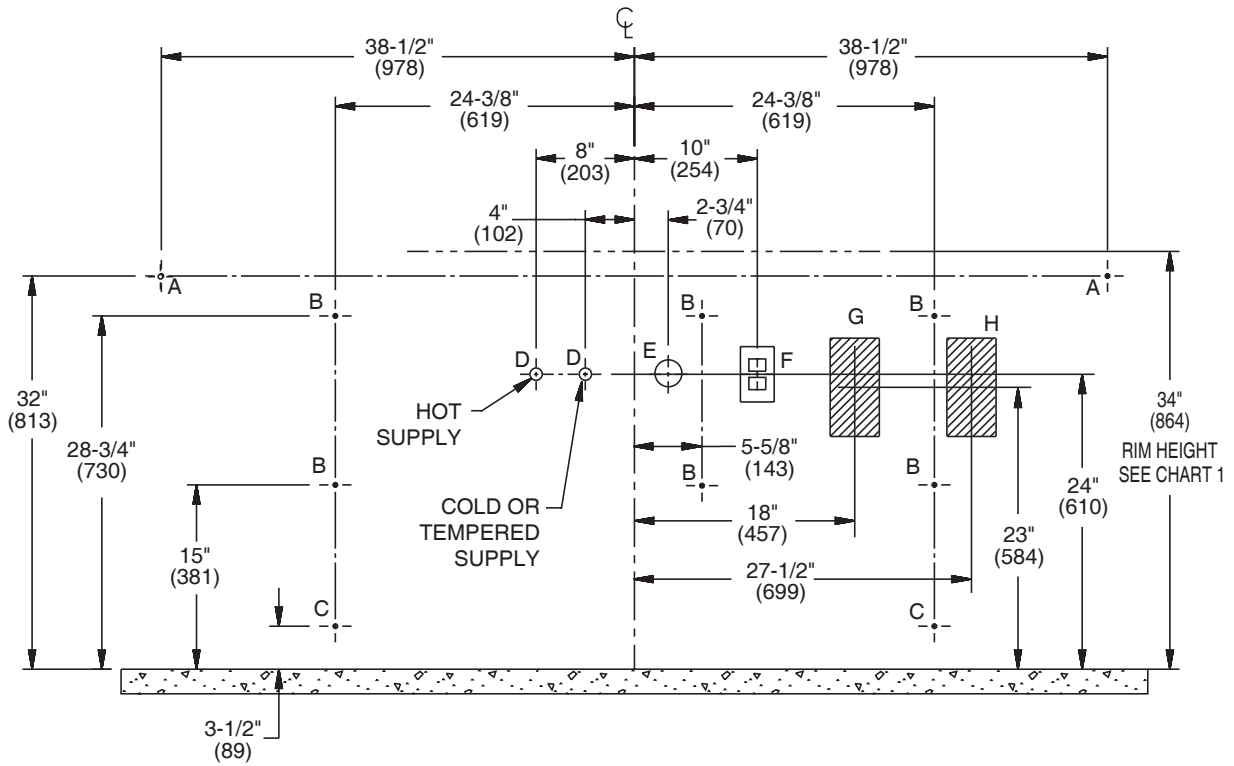


CHART 1

RIM HEIGHT	VERTICAL HEIGHT ADJUSTMENTS "A" THROUGH "H"	FIXTURE STYLE
34"	NONE	STANDARD HEIGHT
34"	NONE	WALL HUNG
32"	SUBTRACT 2"	TAS, GRADES 6 THROUGH 8/9
31"	SUBTRACT 3"	JUVENILE HEIGHT
30"	SUBTRACT 4"	TAS, PRE-K THROUGH 5/6

CHART 2

CODE	DESCRIPTION	QTY.
"A"	3/8" BOWL WALL ANCHORS WITH A MINIMUM PULL OUT FORCE OF 1000 lbs.	2
"B"	3/8" MAIN FRAME WALL ANCHORS WITH A MINIMUM PULL OUT FORCE OF 1000 lbs.	6
"C"	3/8" BASE FRAME WALL ANCHORS WITH A MINIMUM PULL OUT FORCE OF 1000 lbs. STANDARD FRAME OPTION ONLY.	2
"D"	1/2" NPT HOT/COLD SUPPLIES, STUB OUT 2" FROM WALL.	2
"E"	1-1/2" NPT DRAIN, STUB OUT 2" FROM WALL.	1
"F"	110V GFCI PROTECTED ELEC. OUTLET. I.R. AND TOUCH TIME ONLY.	1
"G"	OPTIONAL HEATER, ELECTRIC BOX LOCATION. 4" L X 4" W X 8" H - OPTION 1	1
"H"	OPTIONAL HEATER, ELECTRIC BOX LOCATION. 4" L X 4" W X 8" H - OPTION 2	1

Bradley Corporation reserves the right to make changes in design and material without formal notice and without incurring obligation. Verify all rough-in dimensions prior to installation.

Express® Lavatory System — SS-Series

- Model SS-3N/IR (Infrared Control)
- Model SS-3N/AST (Air Valve Metering)
- Model SS-3N/TT (Touch Time™ Metering)
- Model SS-3N/BIR3 (Battery Infrared Control)

Standard Equipment

Bowls

Bowl with three lavatories, pedestal, stainless steel mounting frame (as described above), and the following fittings: P-trap; tailpiece; two flexible stainless steel supply connections; and Vernatherm™ thermostatic mixing valve with stop, strainer, check valves, and 110/24 VAC plug-in transformer (model SS-3N/IR and SS-3N/TT only). Batteries are included in Model SS-3N/BIR3 only.

Optional Equipment

Express Lavatory System Thermostatic Electric Tankless Water Heater

The optional tankless electric water heater is equipped with a microprocessing temperature control capable of maintaining outlet temperature accuracy of +/- 1° F. Factory preset at 105° F. Flow switch activates heater only on demand with 99% efficiency. For easy service, the heater features a replacement cartridge element.

Model	KW	VAC	Amps	Temp Rise @ 1.5 GPM
EX95TMLB	9.5	240/208*	40	43° F
EX100TMLB	10	277	36	46° F

* 240 volt can also be rated 208 volts with a 25% reduction in power.

Activation Controls

Infrared Sensor (Model SS-3N/IR)

Each of the streamformers is controlled by a separate solenoid valve. Hands placed within the bowl are detected by an infrared sensor module which activates a flow of tempered water from one stream former. Shut-off is automatic after hands are removed from the detection area.

The infrared sensor uses a conical shaped transmitting beam, having a detection area adapted to, but not exceeding the bowl perimeter. The detection area projects forward 15° to each side and 15° below horizontal. The adaptive infrared sensor automatically adapts to the bowl after power is turned on.

The infrared sensor is not affected by varying color tones or darkness. Direct sunlight or bright washroom lights will not activate the system. Infrared models also include solenoid valves and a low voltage transformer as standard equipment:

- Solenoid - 24V, 50/60 Hz, 3/8" NPT. Few moving parts, and resistant to most chemicals, minerals, and impurities often present in municipal water supplies.
- Low Voltage Transformer - Class II UL/CSA listed, 110/24 VAC plug-in transformer. Plugs into a standard GFCI electrical outlet.

Air Valve Hand Control (Model SS-3N/AST)

Each push-button pneumatically actuates a non-hold-open, air metering, single temperature valve with field adjustable timing from 0-45 seconds. Factory preset at 10 seconds. Each push-button activates one valve which, in turn, activates one station (streamformer).

Touch Time™ Metering Control (Model SS-3N/TT)

Each low voltage pushbutton actuates a non-hold-open, slow closing anti-hammer solenoid valve that is timed from an electronic potted assembly. Each pushbutton activates one valve, which, in turn, activates one station (streamformer). Touch Time™ controls water flow at each station through the use of solid state, digital circuitry. Timing is electronically controlled at 15 seconds.

Battery Operated Infrared Sensor (Model SS-3N/BIR3)

Each battery powered sensor uses a zone-focused infrared transmitting beam, creating a large detection area not exceeding the bowl perimeter. The sensor is not affected by varying skin tones or darkness. When hands enter the detection area, the sensor starts water flow by opening the valve electronically. When hands leave the detection area, the sensor stops the flow of water by closing the electronically activated solenoid valve. The 6-volt DC, electronically activated solenoid valve has few moving parts providing reliable operation that is unaffected by most chemicals and minerals often present in municipal water supplies. Each station is powered by a single lithium battery. Battery type is Duracell® DL 223A or equivalent (batteries included).

Flow Control Rate

Operating range 20-80 psi. Flow restrictor keeps flow rate constant at all pressures. Flow rate: 0.5 GPM.

Sample Specification

Express® Model SS-3N/IR

The module multiple lavatory system shall provide three hand washing stations, with the centerline of each station located on 30" centers, perpendicular to the mounting wall. Each hand washing station shall comply with ANSI and ADA accessibility standards.

- bowl and sprayhead cover material for each station shall be constructed of NAHB Certified Terreon, complying with ANSI Z124.3, Z124.6 and ANSI/ICPA SS-1-2001. Bowl and sprayhead cover finish shall be a decorative stone.

Document No. 1025

This information is subject to change without formal notice.
1-19-2005 (7 Pages Total)



P.O. Box 309, Menomonee Falls, WI 53052-0309
Phone 1-800-BRADLEY FAX 262-251-5817
<http://www.bradleycorp.com>

Express® Lavatory System — SS-Series

- Model SS-3N/IR (Infrared Control)
- Model SS-3N/AST (Air Valve Metering)
- Model SS-3N/TT (Touch Time™ Metering)
- Model SS-3N/BIR3 (Battery Infrared Control)

- bowl color: Empire Gray (other colors available)
- lavatory stations shall be secured to a rigid base consisting of a 1 piece welded stainless steel subframe which shall support all handwashing stations to ANSI Z124.3 load ratings. Supply and waste connections shall be fully concealed within the frame.
- each hand washing station shall have a streamformer served by an independent solenoid valve and actuated by an infrared sensing module with a single conical beam not exceeding the bowl perimeter. Each sensor shall have a 2-3 second turn-off delay; and automatic shut-off after 30-45 of continuous operation.
- unit sprayhead assembly to be one-piece design, pre-plumbed and pre-wired and shall provide dry surface ledge above water spray area.
- lavatory system shall include plug-in transformer, all waste and supply connections to wall, and thermostatic mixing valve with stop, strainer, and check valves.

Express® Model SS-3N/AST

The module multiple lavatory system shall provide three hand washing stations, with the centerline of each station located on 30" centers, perpendicular to the mounting wall. Each hand washing station shall comply with ANSI and ADA accessibility standards.

- bowl and sprayhead cover material for each station shall be constructed of NAHB Certified Terreon, complying with ANSI Z124.3, Z124.6 and ANSI/ICPA SS-1-2001. Bowl and sprayhead cover finish shall be a decorative stone.
- bowl color: Empire Gray (other colors available)
- lavatory stations shall be secured to a rigid base consisting of a 1 piece welded stainless steel subframe which shall support all handwashing stations to ANSI Z124.3 load ratings. Supply and waste connections shall be fully concealed within the frame.
- each hand washing station shall have a streamformer served by an independent air metering valve which is actuated by a push-button.
- unit sprayhead assembly to be one-piece design, pre-plumbed and shall provide dry surface ledge above water spray area.
- lavatory system shall include all waste and supply connections to wall, and thermostatic mixing valve with stop, strainer, and check valves.

Express® Model SS-3N/TT

The module multiple lavatory system shall provide three hand washing stations, with the centerline of each station located on 30" centers, perpendicular to the mounting wall. Each hand washing station shall comply with ANSI and ADA accessibility standards.

- bowl and sprayhead cover material for each station shall be constructed of NAHB Certified Terreon, complying with ANSI Z124.3, Z124.6 and ANSI/ICPA SS-1-2001. Bowl and sprayhead cover finish shall be a decorative stone.
- bowl color: Empire Gray (other colors available)
- lavatory stations shall be secured to a rigid base consisting of a 1 piece welded stainless steel subframe which shall support all handwashing stations to ANSI Z124.3 load ratings. Supply and waste connections shall be fully concealed within the frame.
- each hand washing station shall have a streamformer served by a pushbutton and independent Touch Time™ electronic metering valve.
- unit sprayhead assembly to be one-piece design, pre-plumbed and pre-wired and shall provide dry surface ledge above water spray area.
- lavatory system shall include all waste and supply connections to wall, and thermostatic mixing valve with stop, strainer, and check valves.

Express® Model SS-3N/BIR3

The module multiple lavatory system shall provide three hand washing stations, with the centerline of each station located on 30" centers, perpendicular to the mounting wall. Each hand washing station shall comply with ANSI and ADA accessibility standards.

- bowl and sprayhead cover material for each station shall be constructed of NAHB Certified Terreon, complying with ANSI Z124.3, Z124.6 and ANSI/ICPA SS-1-2001. Bowl and sprayhead cover finish shall be decorative stone.
- bowl color: Empire Gray (other colors available)
- lavatory stations shall be secured to a rigid base consisting of a 1 piece welded stainless steel subframe which shall support all handwashing stations to ANSI Z124.3 load ratings. Supply and waste connections shall be fully concealed within the frame.
- individual infrared controls powered by lithium batteries (batteries included) concealed inside a battery holder with electronically activated solenoid valve.
- unit sprayhead assembly to be one-piece design, pre-plumbed and pre-wired and shall provide dry surface ledge above water spray area.
- lavatory system shall include all waste and supply connections to wall, and thermostatic mixing valve with stop, strainer, and check valves.

* a lavatory system does not include items such as; fasteners, wall anchors, or other components that are job specific.

Document No. 1025

This information is subject to change without formal notice.
1-19-2005 (7 Pages Total)



P.O. Box 309, Menomonee Falls, WI 53052-0309
Phone 1-800-BRADLEY FAX 262-251-5817
<http://www.bradleycorp.com>

Express® Lavatory System — SS-Series

- Model SS-3N/IR (Infrared Control)
- Model SS-3N/AST (Air Valve Metering)
- Model SS-3N/TT (Touch Time™ Metering)
- Model SS-3N/BIR3 (Battery Infrared Control)

Models	
Model No.	Description
<input type="checkbox"/> SS-3N/IR	Express® Lavatory System w/Infrared Control
<input type="checkbox"/> SS-3N/AST	Express® Lavatory System w/Air Valve Metering
<input type="checkbox"/> SS-3N/TT	Express® Lavatory System w/Touch Time™ Metering
<input type="checkbox"/> SS-3N/BIR3	Express® Lavatory System w/Battery Operated Infrared Control

Other Options:	
Model No.	Description
P-Trap:	
<input type="checkbox"/> S-CHROME	Single Chrome Plated P-Trap
Waste Receptacle Holes:	
<input type="checkbox"/> WRH	Waste Receptacle Mounting Holes *

* For more information on Terreon Waste Receptacles for the Express SS-Series see Document No. 1100.

Standard Selections	
<u>Must</u> select one from each category	
Pedestal (Select One):	
<input type="checkbox"/> STD	Standard Frame (includes Scuff Base)
<input type="checkbox"/> WH	Wall-Hung Frame
Soap Dispenser (Select One):	
<input type="checkbox"/> LSD	Liquid Soap Dispenser (Two Integral Dispensers)
<input type="checkbox"/> NSD	No Soap Dispenser
Water Supply (Select One):	
<input type="checkbox"/> TMA	Vernatherm™ Thermostatic Mixing Assembly (Hot and Cold Supplies)
<input type="checkbox"/> TL	Single Tempered Line
Heaters Not Available with BIR3 Activation	
<input type="checkbox"/> HEAT277	Electric Tankless Water Heater, 277 volts
<input type="checkbox"/> HEAT240-208	Electric Tankless Water Heater, 240/208 volts
Color of Terreon® Bowl/Sprayhead Cover (Select One):	
Standard Colors	
<input type="checkbox"/> E-GRAY	Empire Gray
<input type="checkbox"/> CHAR	Charcoal Gray
<input type="checkbox"/> SAND	Sandtrap
<input type="checkbox"/> GRAPH	Graphite
<input type="checkbox"/> JADE	Jade
<input type="checkbox"/> COBBLE	Cobblestone
<input type="checkbox"/> BONE	Mesa Bone
<input type="checkbox"/> PEP-WHT	Peppered White
<input type="checkbox"/> DS-WHT	Designer White
<input type="checkbox"/> LANNON	Lannonstone
<input type="checkbox"/> WHT-SAND	White Sand
<input type="checkbox"/> FIESTA	Fiesta
Designer Colors	
<input type="checkbox"/> ARC-CHIP	Arctic Chip
<input type="checkbox"/> S-SAGE	Summer Sage
<input type="checkbox"/> RIVER	Riverstone
<input type="checkbox"/> MYSTIC-M	Mystic Moss
<input type="checkbox"/> STAR-D	Stardust
<input type="checkbox"/> COFFEE	Coffee Bean
Color of Access Panel/Sprayhead Body (Select One):	
<input type="checkbox"/> GRAY	Gray
<input type="checkbox"/> PUTTY	Putty
<input type="checkbox"/> COAL	Coal

Document No. 1025

This information is subject to change without formal notice.
1-19-2005 (7 Pages Total)

